

FEATURE:

- Small Structure, Low Cost, Drop-IN Type
- Wideband Frequency Range, High Reliability
- Field Removable SMA(F) Connector
- Low Conversion Loss
- Low LO Drive Power

APPLICATION:

- Test equipment
- Radar & Electronic Warfare
- Communication system

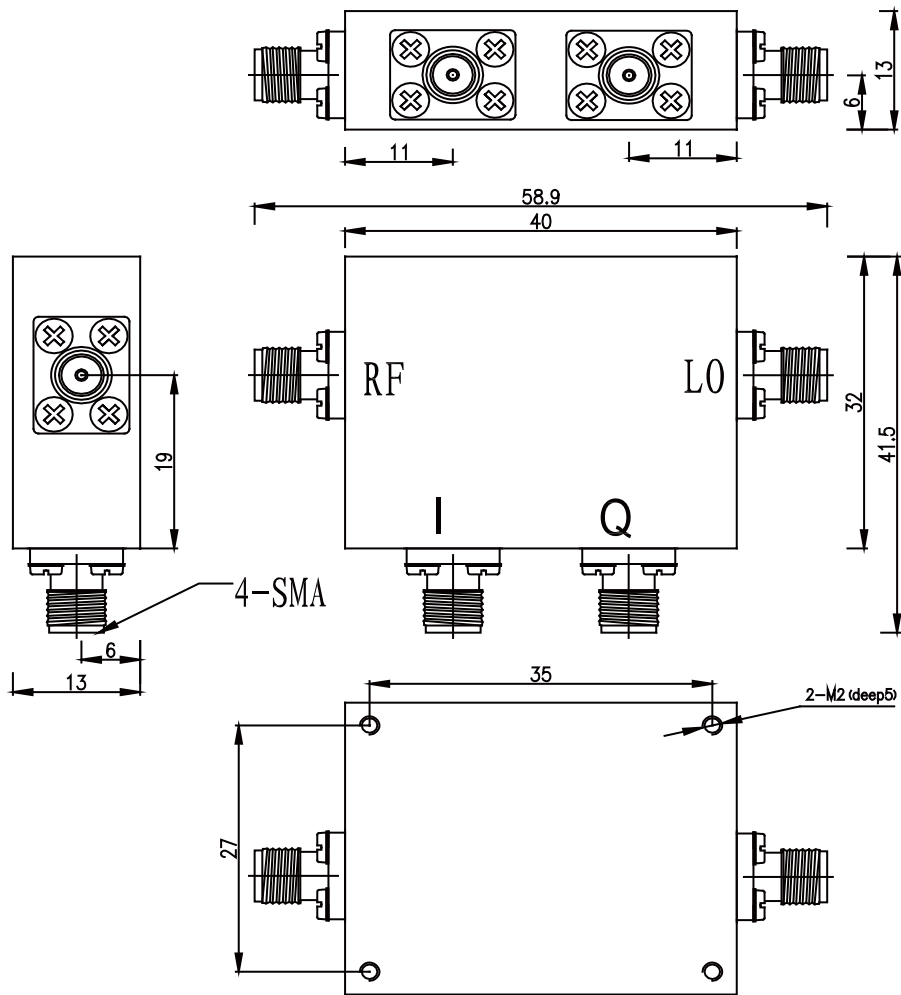


SPECIFICATIONS@25°C:

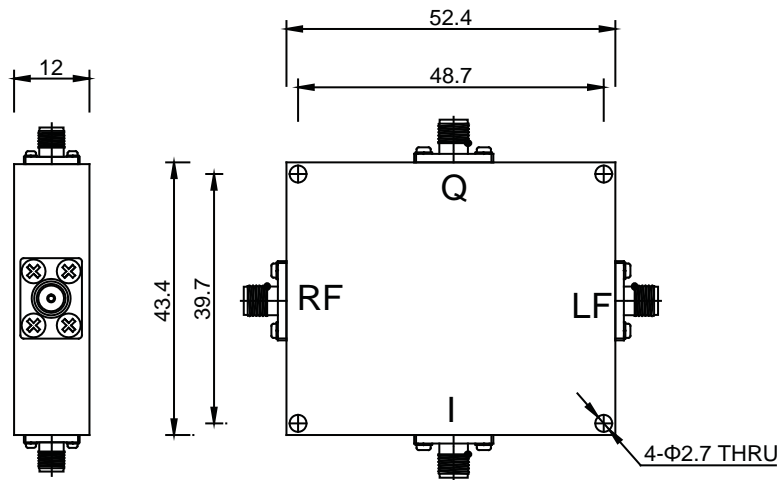
Part Number	LO Carrier Frequency Range(GHz)	RF Frequency (GHz)	RF Power (dBm)	IF Frequency Range(MHz)	IF Power (dBm)	Conversion Loss(dB)	Carrier Suppression (dBc)	Carrier Fundamental IF(dBc)	Carrier ± 2 IF, 4 IF, etc (dBc.typ)	Carrier ± 3 IF (dBc)	Case Type
MMB0510Q05HM	0.5-1	0.5-1	5	DC-500	17	7	33	25	50	10	MB5
MMB0510Q05MM	0.5-1	0.5-1	5	DC-500	13	7	33	25	50	10	MB5
MMB0510Q05LM	0.5-1	0.5-1	5	DC-500	10	7	33	25	50	10	MB5
MMB0520Q05HM	0.5-2	0.5-2	5	DC-500	17	7	33	25	50	10	MB5
MMB0520Q05MM	0.5-2	0.5-2	5	DC-500	13	7	33	25	50	10	MB5
MMB0520Q05LM	0.5-2	0.5-2	5	DC-500	10	7	33	25	50	10	MB5
MMB0102Q05HM	1-2	1-2	5	DC-500	17	8	30	20	45	10	MB6
MMB0102Q05LM	1-2	1-2	5	DC-500	10	8	30	20	45	10	MB6
MMB0102Q05MM	1-2	1-2	5	DC-500	13	8	30	20	45	10	MB6
MMB0104Q05MM	1-4	1-4	5	DC-500	13	7	40	27	45	10	MB6
MMB0104Q05LM	1-4	1-4	5	DC-500	10	7	40	27	45	10	MB6
MMB0104Q05HM	1-4	1-4	5	DC-500	17	7	40	27	45	10	MB6
MMB0204Q05HM	2-4	2-4	6	DC-500	17	6	30	24	45	10	MB7
MMB0204Q05LM	2-4	2-4	6	DC-500	10	6	30	24	45	10	MB7
MMB0204Q05MM	2-4	2-4	6	DC-500	13	6	30	24	45	10	MB7
MMB0206Q05LM	2-6	2-6	10	DC-500	17	12	35	30	45	30	MB5
MMB0206Q05MM	2-6	2-6	13	DC-500	17	12	35	30	45	30	MB5
MMB0206Q05HM	2-6	2-6	17	DC-500	17	12	35	30	45	30	MB5
MMB0226Q05MM	2-26	2-26	5	DC-500	13	12	25	20	45	10	MB5
MMB0226Q05HM	2-26	2-26	5	DC-500	17	12	25	20	45	10	MB5
MMB0226Q05LM	2-26	2-26	5	DC-500	10	12	25	20	45	10	MB5
MMB2232Q05HM	2.2-3.2	2.2-3.2	5	DC-500	17	6	25	30	40	40	MB5
MMB2232Q05LM	2.2-3.2	2.2-3.2	5	DC-500	10	6	25	30	40	40	MB5

Part Number	LO Carrier Frequency Range(GHz)	RF Frequency (GHz)	RF Power (dBm)	IF Frequency Range(MHz)	IF Power (dBm)	Conversion Loss(dB)	Carrier Suppression (dBc)	Carrier Fundamental IF(dBc)	Carrier ± 2 IF, 4 IF, etc (dBc.typ)	Carrier ± 3 IF (dBc)	Case Type
MMB2232Q05MM	2.2-3.2	2.2-3.2	5	DC-500	13	6	25	30	40	40	MB5
MMB2737Q05MM	2.7-3.7	2.7-3.7	5	DC-500	13	6	25	30	40	40	MB5
MMB2737Q05LM	2.7-3.7	2.7-3.7	5	DC-500	10	6	25	30	40	40	MB5
MMB2737Q05HM	2.7-3.7	2.7-3.7	5	DC-500	17	6	25	30	40	40	MB5
MMB0307Q05MM	3.5-6.5	3.5-6.5	6	DC-500	13	8	30	25	45	10	MB5
MMB0307Q05LM	3.5-6.5	3.5-6.5	6	DC-500	10	8	30	25	45	10	MB5
MMB0307Q05HM	3.5-6.5	3.5-6.5	6	DC-500	17	8	30	25	45	10	MB5
MMB0711Q05LM	3.55-5.85	3.55-5.85	5	DC-500	10	9	45	30	45	25	MB5
MMB0711Q05MM	3.55-5.85	3.55-5.85	5	DC-500	13	9	45	30	45	25	MB5
MMB071117Q05HM	3.55-5.85	3.55-5.85	5	DC-500	17	9	45	30	45	25	MB5
MMB0408Q05MM	4-8	4-8	5	DC-500	13	6	30	25	45	10	MB5
MMB0408Q05LM	4-8	4-8	5	DC-500	10	6	30	25	45	10	MB5
MMB0408Q05HM	4-8	4-8	5	DC-500	17	6	30	25	45	10	MB5
MMB0610Q05MM	6-10	6-10	5	DC-500	13	7	33	25	50	10	MB5
MMB0610Q05LM	6-10	6-10	5	DC-500	10	7	33	25	50	10	MB5
MMB0610Q05HM	6-10	6-10	5	DC-500	17	7	33	25	50	10	MB5
MMB0618Q05MM	6-18	6-18	5	DC-500	13	9	25	30	50	40	MB5
MMB0618Q05LM	6-18	6-18	5	DC-500	17	9	25	30	50	40	MB5
MMB0618Q05HM	6-18	6-18	5	DC-500	17	9	25	30	50	40	MB5
MMB0708Q05MM	7.2-8.4	7.2-8.4	6	DC-500	13	7.5	30	25	20	20	MB5
MMB0708Q05LM	7.2-8.4	7.2-8.4	6	DC-500	10	7.5	30	25	20	20	MB5
MMB0708Q05HM	7.2-8.4	7.2-8.4	6	DC-500	17	7.5	30	25	20	20	MB5
MMB0812Q05MM	8-12	8-12	5	DC-500	13	6	30	25	45	10	MB5
MMB0812Q35LM	8-12	8-12	5	DC-500	10	6	30	25	45	10	MB5
MMB0812Q05LM	8-12	8-12	5	DC-500	10	6	30	25	45	10	MB5
MMB0812Q05HM	8-12	8-12	5	DC-500	17	6	30	25	45	10	MB5
MMB0813Q05LM	8-13	8-13	5	DC-500	10	6	30	25	45	10	MB5
MMB0813Q05MM	8-13	8-13	5	DC-500	13	6	30	25	45	10	MB5
MMB0813Q05HM	8-13	8-13	5	DC-500	17	6	30	25	45	10	MB5
MMB0816Q05MM	8-16	8-16	5	DC-500	13	6	30	25	45	10	MB5
MMB0816Q05LM	8-16	8-16	5	DC-500	10	6	30	25	45	10	MB5
MMB0816Q05HM	8-16	8-16	5	DC-500	17	6	30	25	45	10	MB5
MMB0818Q05LM	8-18	8-18	/	DC-500	10	12	/	/	/	/	MB22
MMB1012Q05MM	10-12	10-12	6	DC-500	13	8	30	25	30	30	MB5

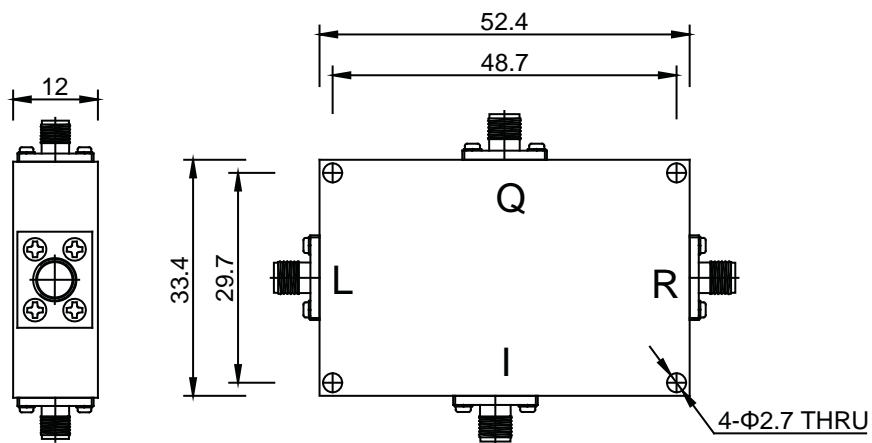
Part Number	LO Carrier Frequency Range(GHz)	RF Frequency (GHz)	RF Power (dBm)	IF Frequency Range(MHz)	IF Power (dBm)	Conversion Loss(dB)	Carrier Suppression (dBc)	Carrier Fundamental IF(dBc)	Carrier ± 2 IF, 4 IF, etc (dBc.typ)	Carrier ± 3 IF (dBc)	Case Type
MMB1012Q05LM	10-12	10-12	6	DC-500	10	8	30	25	30	30	MB5
MMB1012Q05HM	10-12	10-12	6	DC-500	17	8	30	25	30	30	MB5
MMB1015Q05MM	10-15	10-15	6	DC-500	13	8	30	25	30	30	MB5
MMB1015Q05LM	10-15	10-15	6	DC-500	10	8	30	25	30	30	MB5
MMB1015Q05HM	10-15	10-15	6	DC-500	17	8	30	25	30	30	MB5
MMB1116Q05MM	11-16	11-16	5	DC-500	13	10	25	23	35	10	MB5
MMB1116Q05LM	11-16	11-16	5	DC-500	10	10	25	23	35	10	MB5
MMB1116Q05HM	11-16	11-16	5	DC-500	17	10	25	23	35	10	MB5
MMB1216Q05MM	12-16	12-16	5	DC-500	13	10	25	23	35	10	MB5
MMB1216Q05LM	12-16	12-16	5	DC-500	10	10	25	23	35	10	MB5
MMB1216Q05HM	12-16	12-16	5	DC-500	17	10	25	23	35	10	MB5
MMB1218Q05MM	12-18	12-18	5	DC-500	13	10	25	23	35	10	MB5
MMB1218Q05LM	12-18	12-18	5	DC-500	10	10	25	23	35	10	MB5
MMB1218Q05HM	12-18	12-18	5	DC-500	17	10	25	23	35	10	MB5
MMB1521Q05MM	15-21	15-21	5	DC-500	13	9	30	30	40	40	MB5
MMB1521Q05LM	15-21	15-21	5	DC-500	10	9	30	30	40	40	MB5
MMB1521Q05HM	15-21	15-21	5	DC-500	17	9	30	30	40	40	MB5
MMB1523Q05MM	15-23	15-23	5	DC-500	13	9	30	30	40	40	MB5
MMB1523Q05LM	15-23	15-23	5	DC-500	10	9	30	30	40	40	MB5
MMB1523Q05HM	15-23	15-23	5	DC-500	17	9	30	30	40	40	MB5
MMB1626Q05MM	16-26	15-23	5	DC-500	13	9	30	30	40	40	MB5
MMB1626Q05LM	16-26	15-23	5	DC-500	10	9	30	30	40	40	MB5
MMB1626Q05HM	16-26	15-23	5	DC-500	17	9	30	30	40	40	MB5
MMB1826Q05MM	18-26	18-26	5	DC-500	13	9	30	30	40	40	MB5
MMB1826Q05LM	18-26	18-26	5	DC-500	10	9	30	30	40	40	MB5
MMB1826Q05HM	18-26	18-26	5	DC-500	17	9	30	30	40	40	MB5



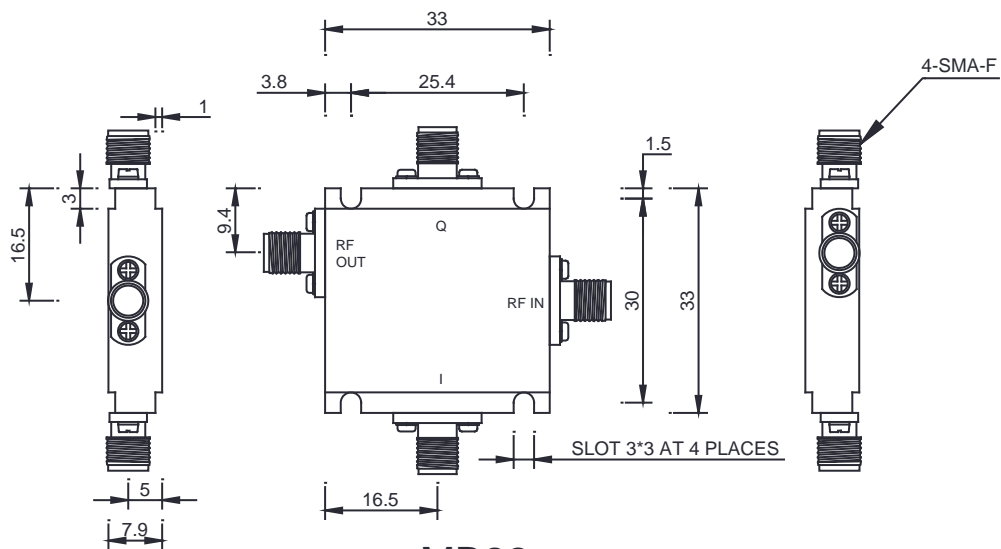
MB5



MB6



MB7



MB22